

Wi-Fi and Android Based Smart Home Automation for People with Disabilities

Santhi Kiran Pandipati¹, L. Srinivas², T.Satyanarayana³

¹, Dept Of ECE, CMR Engineering college, Hyderabad, Telangana.

², Associate professor, CMR Engineering college, Hyderabad, Telangana.

³ Assistant Professor, CMR Engineering college, Hyderabad, Telangana.

Abstract:

Recently, the social inclusion and technical aid to assure autonomy to people with disabilities are getting attention all over the world. This work presents a display design for accessible interaction in home area networks. Based on a research on the accessible interfaces state of the art, an interface design was Proposed. This interface was implemented over a Tablet that controls domestic devices through a home network controller prototype. In order to evaluate the design, a research was conducted, interviewing people with disabilities in Brazil. This research consolidated a feasible accessible interface to control home area networks pointing out the main requirements considering a diversified group of impairments..

Key words: LPC2148 development board, WIFI device, Smart phone, Sensors, Controlled devices.

I. Introduction

Focusing on the use of home area networks to improve disabled people's autonomy at home, this paper presents a display design for accessible home control. In the past years, computational devices have turned faster, smaller, connected and cheaper. It brings the "intelligent house" vision, promised for decades, closer to reality. This pervasive, intelligent home, a luxury item for many people, could have a key role in assuring the autonomy of people with disabilities. In Brazil, assistive resources and their use are relatively recent as compared to the United States, for example, where specific laws were established in 1988. In Brazil, similar regulations have existed since 2004 and establish general standards and basic criteria to promote accessibility.

II. The Hardware System

Micro controller: This section forms the control unit of the whole project. This section basically consists of a Microcontroller with its associated circuitry like Crystal with capacitors, Reset circuitry, Pull up resistors (if needed) and so on. The Microcontroller forms the heart of the project because it controls the devices being interfaced and communicates with the devices according to the program being written.

ARM7TDMI: ARM is the abbreviation of Advanced RISC Machines, it is the name of a class

of processors, and is the name of a kind technology too. The RISC instruction set, and related decode mechanism are much simpler than those of Complex Instruction Set Computer (CISC) designs.

Liquid-crystal display (LCD) is a flat panel display, electronic visual display that uses the light modulation properties of liquid crystals. Liquid crystals do not emit light directly. LCDs are available to display arbitrary images or fixed images which can be displayed or hidden, such as preset words, digits, and 7-segment displays as in a digital clock. They use the same basic technology, except that arbitrary images are made up of a large number of small pixels, while other displays have larger elements.

THERMISTOR: Thermistors are a temperature sensing device. It is used to sense the temperature. In this project by depends on the value of temperature the exhaust fan will run.

III. Design of Proposed Hardware System

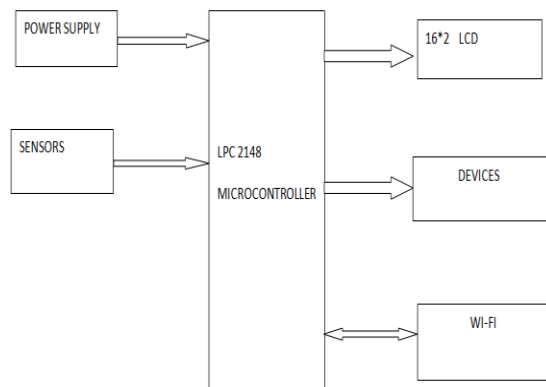


Fig.1.Block diagram

The design of entire system consisted of two part which are hardware and software. The hardware is designed by the rules of embedded system, and the steps of software consisted of three parts. The existing method by improving the security level by implantation of WIFI that will solve this problem. WIFI based wireless technology which consists of transmitter at the site location and receiver at control panel. Information received at the receiver will be send to the WIFI. So the people living at home with internet connection can see the received data. The system uses a compact circuitry built around LPC2148 (ARM7) microcontroller Programs are developed in Embedded C. Flash magic is used for loading programs into Microcontroller.

IV. Board Hardware Resources Features

Wi-Fi: Networking is playing vital role in current IT era where data distribution and access is critically important. As the use of communication between two or more entities increases the networking technologies need to be improved and refurbished over time. Similarly the transmission media, the heart of a network, has been changed with the time improving on the previous one. If you know a little bit about networking you surely have heard the term WIFI which is currently the dominant network technology. Wide spread of the WIFI technology made most of the offices, universities and buildings use the technology for establishment of local area networks (LANs).



Fig.3. local area networks (LANs) Connection

To understand what actually WIFI is, we need to know about IEEE first which is a short of Institute of Electrical and Electronics Engineers. IEEE is a part of International Organization for Standardization (ISO) whose standard IEEE 802.3 is defined for Local Area Network. The standard 802.3 commonly known as WIFI defines the communication standards for how data is transferred from one network device to another in a local area network. Since the limit for WIFI cable is few hundred meters WIFI is commonly deployed for networks lying in a single building to connect devices with close proximity. The same standard for WIFI enables manufactures from around the earth to manufacture WIFI products in accordance with the ISO standards that are feasible for all computing devices worldwide

THERMISTOR: A thermistor is a type of resistor whose resistance varies significantly with temperature, more so than in standard resistors. The word is a portmanteau of thermal and resistor. Thermistors are widely used as inrush current limiters, temperature sensors, self-resetting over current protectors, and self-regulating heating elements.

Thermistors differ from resistance temperature detectors (RTD) in that the material used in a thermistor is generally a ceramic or polymer, while RTDs use pure metals. The temperature response is also different; RTDs are useful over larger temperature ranges, while thermistors typically achieve a higher precision within a limited temperature range, typically -90°C to 130°C .

SMOKE SENSOR: Smoke sensor is used to detect any leakage of smoke and any hazardous gases such that an alarm can be initiated to avoid any damages in the industries. These sensors are also used in many applications like corporate and in any office work areas these are linked to fire alarms .And

buzzers through the micro-controller. There are two main types of smoke detectors: Ionization detectors and photoelectric detectors. A smoke alarm uses one or both methods, sometimes plus a heat detector, to warn of a fire. Ionization detectors have an ionization chamber and a source of ionizing radiation. The source of ionizing radiation is a minute quantity of americium-241 (perhaps 1/5000th of a gram), which is a source of alpha particles (helium nuclei). The ionization chamber consists of two plates separated by about a centimeter. The battery applies a voltage to the plates, charging one plate positive and the other plate negative. Alpha particles constantly released by the americium knock electrons off of the atoms in the air, ionizing the oxygen and nitrogen atoms in the chamber. The positively-charged oxygen and nitrogen atoms are attracted to the negative plate and the electrons are attracted to the positive plate, generating a small, continuous electric current. When smoke enters the ionization chamber, the smoke particles attach to the ions and neutralize them, so they do not reach the plate. The drop in current between the plates triggers the alarm. In one type of photoelectric device, smoke can block a light beam. In this case, the reduction in light reaching a photocell sets off the alarm. In the most common type of photoelectric unit, however, light is scattered by smoke particles onto a photocell, initiating an alarm. In this type of detector there is a T-shaped chamber with a light-emitting diode (LED) that shoots a beam of light across the horizontal bar of the T. A photocell, positioned at the bottom of the vertical base of the T, generates a current when it is exposed to light. Under smoke-free conditions, the light beam crosses the top of the T in an uninterrupted straight line, not striking the photocell positioned at a right angle below the beam. When smoke is present, the light is scattered by smoke particles, and some of the light is directed down the vertical part of the T to strike the photocell. When sufficient light hits the cell, the current triggers the alarm.

LDR: LDRs or Light Dependent Resistors are very useful especially in light/dark sensor circuits. Normally the resistance of an LDR is very high, sometimes as high as 1000 000 ohms, but when they are illuminated with light resistance drops dramatically. However, when light shines onto the LDR its resistance falls and current flows into the base of the first transistor and then the second transistor. The LED lights on. The preset resistor can be turned up or down to increase or decrease resistance, in this way it can make the circuit more or less sensitive.

HUMIDITY: Humidity is the amount of water vapor in the air. In daily language the term "humidity" is normally taken to mean relative humidity. Relative humidity is defined as the ratio of the partial pressure of water vapor in a parcel of air to the saturated vapor pressure of water vapor at a prescribed temperature. Humidity may also be expressed as absolute humidity and specific humidity. Relative humidity is an important metric used in forecasting weather. Humidity indicates the likelihood of precipitation, dew, or fog. High humidity makes people feel hotter outside in the summer because it reduces the effectiveness of sweating to cool the body by preventing the evaporation of perspiration from the skin. Absolute humidity is the quantity of water in a particular volume of air. The most common units are grams per cubic meter, although any mass unit and any volume unit could be used. Relative humidity is defined as the ratio of the partial pressure of water vapor in a gaseous mixture of air and water vapor to the saturated vapor pressure of water at a given temperature. Relative humidity is expressed as a percentage. Specific humidity is the ratio of water vapor to air (including water vapor and dry air) in a particular volume. Measuring and regulating humidity

REFERENCES

- [1] L. C. P. Costa, I. K. Ficheman, A. G. D. Correa, R. D. Lopes, M. K. Zuffo, "Accessibility in digital television: designing remote controls." IEEE Trans. Consumer Electron. vol. 58, no.2, pp.605-611, May 2012.
- [2] Brazil. "Federal Decree no 5296". December 2004.
- [3] L. C. P. Costa, N. S. Almeida, M. K. Zuffo, "Accessible display design to control home area networks." IEEE International Conf. in Consumer Electron. Proceed., pp.426-427, Jan. 2013.
- [4] M. Ghorbel, F. Arab, M. Monhtari, "Assistive housing: case study in a residence for elderly people." IEEE Second International Conf. on Pervasive Computing Technologies for Healthcare, pp.140-143, Jan.-Feb. 2008.
- [5] X. H. B. Le, M. D. Mascolo, A. Gouin, N. Noury, "Health smart home - towards an assistant tool for automatic assessment of the dependence of elders." Proc. of the Annual International Conf. of the IEEE Eng. in Medicine and Bio. Soc., pp. 3806-3809, Aug. 2007. L. C. P. Costa et al.: Accessible Display Design to Control Home Area Networks 427

- [6] A. Sleman, M. Alafandi, R. Moeller, "Integration of wireless fieldbus and wired fieldbus for health monitoring." IEEE International Conf. on Consumer Electron., pp. 1-2, Jan. 2009.
- [7] E. Mainardi, "Design of a portable touchscreen interface for powerline domotic systems." IEEE Autom. Science and Eng., pp. 680-684, Aug. 2008.
- [8] M. Valles, F. Manso, M. T. Arredondo, F. Del Pozo, "Multimodal environmental control system for elderly and disabled people." 18th Annual International Conf. of the IEEE in Eng. in Medicine and Biology Society, pp. 516-517, Oct.-Nov., 1996.
- [9] J. Zhu, X. Gao, Y. Yang, H. Li, Z. Ai. X. Cui, "Developing a voice control system for zigbee-based home automation networks." IEEE 2nd International Conf. on Network Infrastructure and Digital Content, pp. 737-741, Sep. 2010.
- [10] J. Do, H. Jang, S. H. Jung, J. Jung, Z. Bien, "Soft remote control system in the intelligent sweet home." IEEE International Conf. on Intelligent Robots and Systems, pp. 3984-3989, Aug. 2005.
- [11] W. Xianmei, L. Lingyan, D. Ti, W. Zhiliang, "Smart home control system for the disabled using the head and the mouth movement." IEEE 29th Chinese Control Conf., pp. 3527-3530, July 2010.
- [12] Q. Y. Zhao, S. Xu, Z. Z. Li, L. Wang, "A comparative study of musical navigation methods for visually impaired users of GUI systems." IEEE International Conf. on Industrial Eng. and Eng. Management, pp.446-450, Dec. 2007.
- [13] ISO 9126. "Software precuts evaluation: quality characteristics and guidelines for their use." 1991.
- [14] ISO 9241. "Ergonomic requirements for office work with visual display terminals (VDTs): dialoge principles." 1998.
- [15] P. W. Jordan, An introduction to usability. Taylor & Francis: New York, 1998.
- [16] J. Nielsen, Usability engineering. Academic Press: San Diego, 1993.
- [17] J. Nielsen, R. Mack. Usability inspection methods. John Wiley & Sons: New York, 1994.
- [18] J. Rubin, Handbook of Usability Testing: How to plan, design and conduct effective tests. John Wiley & Sons, Inc.: New York, 1994.
- [19] H. Urokohara, K. Tanaka, K. Furuta, M. Kurosu, "NEM: Novice Expert ratio Method. A usability evaluation method to generate a new performance measure." Extended Abstracts of ACM Conference on Human Factors in Computing Systems, pp. 185-186, 2000.
- [20] D. E. Casey, "Descriptive research: techniques and procedures." In: R. Colwell (Ed.). Handbook of research on music teaching. Schirmer: New York, pp. 115-123, 1992.
- [21] M.D.C. Tongco, "Purposive sampling as a tool for informant selection." Ethnobotany Research & Applications Journal, vol. 5, pp. 147-158, 2007.
- [22] P. Moreno-Ger, J. Torrente, Y. G. Hsieh, W. T. Lester, "Usability testing for serious games: making informed design decisions with user data." Advances in Human-Computer Interaction. vol. 2012. 2012.
- [23] B. Vogel, A. Kurti, M. Milrad, A. Kerren, "An Interactive web-based visualization tool in action: user testing and usability aspects." IEEE International Conf. on Computer and Information Technology, pp. 403-408, Sept. 2011.
- [24] J. Nielsen, "Estimating the number of subjects needs for a thinking aloud test." Interaction Journal Human-Computer, pp. 385-397, 1994.
- [25] R. Likert, "A technique for the measurement of attitudes." Archives of psychology. vol. 140. pp. 1-55, 1932.
- [26] H. F. Hoffman, F. Lehner. "Requirements engineering as a success factor in software projects." IEEE Software, vol. 18, no. 4, pp. 58-66, July 2001.
- [27] A. Alexandrov, "Characteristics of single-item measures in Likert scale format." The Electron. Journal of Business Research Methods. vol. 8, no. 1, pp.1 -12, 2010.
- [28] N. M. Malik, A. Mushtaq, S. Khalid, T. Khalil, F. M. Malik "Measurable & scalable NFRs using fuzzy logic and Likert scale." International Journal of Computer Science and Information Security. vol. 2, no. 1, Jun. 2009. ENCES